



105 Bonnie Drive
Butler, PA 16002
724-283-4681
724-283-5939 (fax)
www.bwieagle.com

PRODUCT INFORMATION BULLETIN

YAGI BASE ANTENNA 2.4GHz 13.9dB MODEL 49-3202

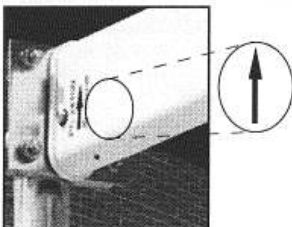
DESCRIPTION

This directional base antenna is designed to concentrate an RF signal towards a specific location for increased signal strength. Used with our 2.4GHz Air-Eagle RF Systems, this antenna will ensure reliable communications in long range applications.

ASSEMBLY

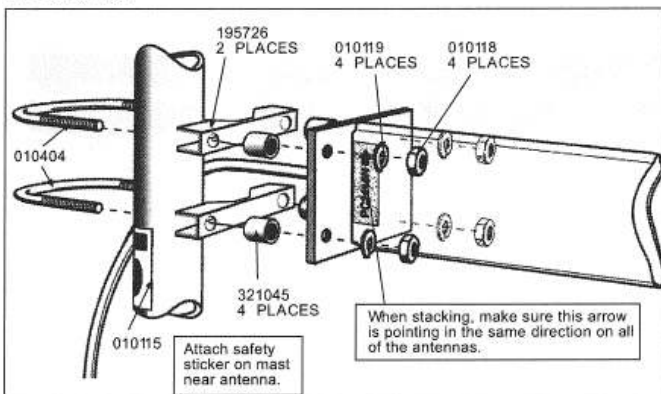
1. Prior to mounting, find the arrow sticker on the radome. When mounting vertically, the arrow should always point upward. When mounting horizontally, the arrow sticker should always be on top of the radome. This positioning is required (a) to ensure weep holes fall on the bottom of the antenna, and (b) to ensure proper phasing when multiple antennas are used with a harness.

FIGURE B



When stacking this antenna, make sure the arrow on the sticker near the mounting plate, is pointed in the same direction on each antenna.

FIGURE C



WARNING

THIS ANTENNA IS AN ELECTRICAL CONDUCTOR. CONTACT WITH POWER LINES CAN RESULT IN DEATH OR SERIOUS INJURY. DO NOT INSTALL THIS ANTENNA WHERE THERE IS ANY POSSIBILITY OF CONTACT WITH OR HIGH VOLTAGE ARC-OVER FROM POWER CABLES OR SERVICE DROPS TO BUILDINGS. THE ANTENNA, SUPPORTING MAST AND/OR TOWER MUST NOT BE CLOSE TO ANY POWER LINES DURING INSTALLATION, REMOVAL OR IN THE EVENT PART OF THE SYSTEM SHOULD ACCIDENTALLY FALL. FOLLOW THE GUIDELINES FOR ANTENNA INSTALLATION RECOMMENDED BY THE U.S. CONSUMER PRODUCT SAFETY COMMISSION AND LISTED IN THE ENCLOSED PAMPHLETS.

INSTALLATION

1. Mount the antenna in a convenient location, **at least 3 feet from other antennas or physical obstructions.**
IMPORTANT – The antenna mast used to mount the antenna **MUST** be *earth grounded* by a grounding rod kit or the antenna mast must be metal and set in the ground at least 18" inches – Failure to do so may result in static electricity build-up that will damage your receiver.
2. Find the shortest, most direct route to run the coax cable from the antenna to the transmitter or receiver.
3. Connect the N-male connector from the coax cable to the N-female connector on the base antenna.
4. Connect the TNC-male connector on the coax cable to the TNC-female connector on the transmitter or receiver being installed.
5. Wrap supplied vinyl mastic tape around all outdoor coax connections to prevent water entry. This step is extremely important to ensure reliable communications in all weather conditions.



105 Bonnie Drive
Butler, PA 16002
724-283-4681
724-283-5939 (fax)
www.bwieagle.com

PRODUCT INFORMATION BULLETIN

SPECIFICATIONS

Connector (Female)	N
Frequency, GHz	2.4 – 2.5GHz
Gain dB	13.9
Maximum Mast Diameter	2 1/8"
Length	27"
No. Elements	15
Enclosure Material	UV Stable Polycarbonate
Weight	1.25 lbs

ORDERING INFORMATION

Coaxial Cable	
IMPORTANT – When specifying coaxial cable lengths, predetermine the shortest possible distance from the antenna to the transmitter/receiver. This will provide maximum RF output from the TX/RX to the antenna, as well as keep antenna costs to a minimum.	
5' Flex 3/16" Coax w/connectors	49-4000-5
15' Flex 3/16" Coax w/connectors	49-4000-15
25' Flex 3/16" Coax w/connectors	49-4000-25
40' Flex 3/16" Coax w/connectors	49-4000-40
60' Flex 3/16" Coax w/connectors	49-4000-60
80' Flex 3/16" Coax w/connectors	49-4000-80
100' Flex 3/16" Coax w/connectors	49-4000-100
Miscellaneous	
Vinyl Mastic Sealing Tape, 4" Pcs.	99-HDW-0061
TNC "T" Adapter (For dual antenna applications)	49-5001

DOCUMENT DATE: 3/1/19



105 Bonnie Drive
Butler, PA 16002
(724) 283-4681
Fax (724) 283-5939
www.bwieagle.com